



The High Street traveler's sewing kit

Perfect for carrying mending supplies, toss this cute little sewing kit in your suitcase and never be without the basics. Small enough to tuck in your handbag so you can catch up on your stitching projects on the go.



MATERIALS

FABRIC Suitable for 44" quilting weight cotton

- One 18" x 22" (fat quarter) or ¼ yard fabric for exterior
- ¼ yard contrasting fabric for kit interior
- Two 4 ½" x 6" coordinating pieces of good quality wool felt

NOTIONS

- Two snap closures
- Coordinating thread
- One 6 ½" x 12" piece of quilt batting or fusible fleece
- Polyfil or other fill of your choice for pincushion

TOOLS

- Pinking shears
- Turning tool
- Fabric marking tool
- Scissors
- Iron
- Ironing board
- Straight pins
- Measuring tape or ruler

LA00532

© 2013 by Stephanie Carter Illustration Ltd.
All rights reserved. No part of this document may be reproduced or transmitted in any form or by any means, electronic, mechanical, photocopying, recording, or otherwise, without prior written permission of Stephanie Carter Illustration Ltd.

lilyashbury.com PRINTED AND PRODUCED ENTIRELY IN CANADA

the
HIGH STREET
traveler's sewing kit



The High Street Traveler's Sewing Kit
LA00532

MATERIALS REQUIRED

FABRIC - Suitable for 44" quilting weight cotton

- One 18" x 22" (fat quarter) or ¼ yard for exterior
- ¼ yard contrasting fabric for interior
- Two 4 ½" x 6" coordinating pieces of good quality wool felt

NOTIONS

- Two snap closures
- Coordinating thread
- One 6 ½" x 12" piece of quilt batting or fusible fleece
- Polyfil or other fill of your choice for pincushion, such as ground walnut shells (from a pet store), fine sand, plastic pellets, etc.

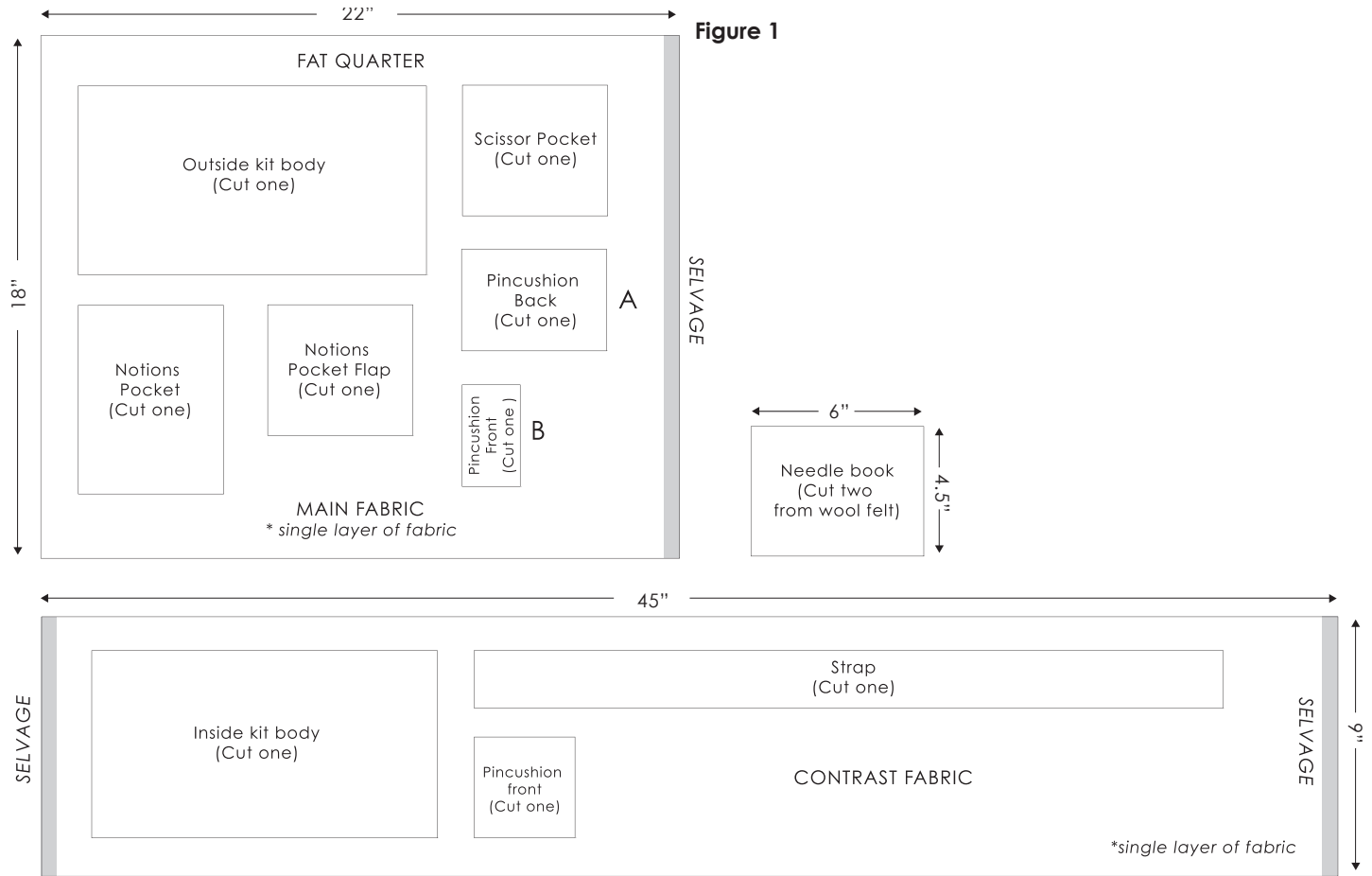
TOOLS

- Turning tool
- Pinking shears
- Fabric marking pencil
- Scissors
- Iron
- Ironing board
- Straight pins
- Measuring tape or ruler

INSTRUCTIONS - All seams are 1/4"

STEP 1 – Cut Fabric Pieces

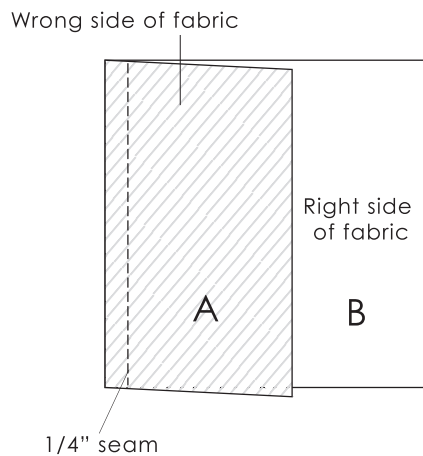
A. Cut fabric according to pattern and transfer tailors marks where indicated. For suggested fabric layouts, see Figure 1.



STEP 2 – Pincushion Construction

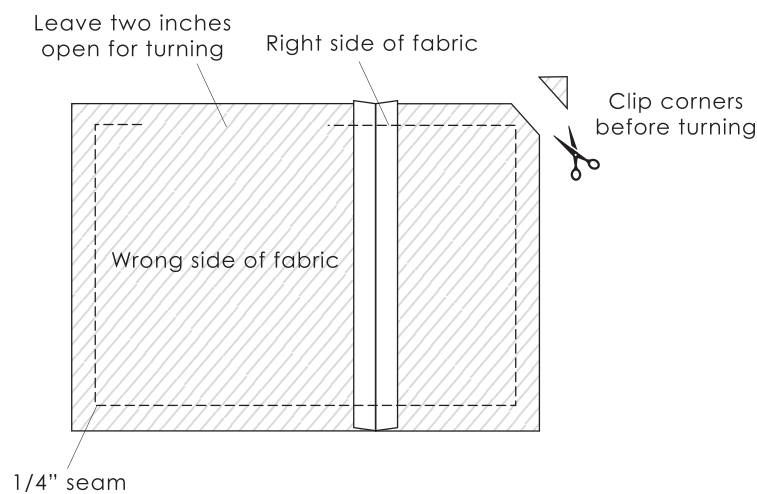
A. Sew pincushion front piece **A** to pincushion front piece **B**, **right** sides together. Press seam open.

Figure 2



- B. Pin pincushion back piece to pincushion front piece, **right** sides together. Stitch outside edge, leaving a 2" opening on one of the long sides for turning. See Figure 3.

Figure 3



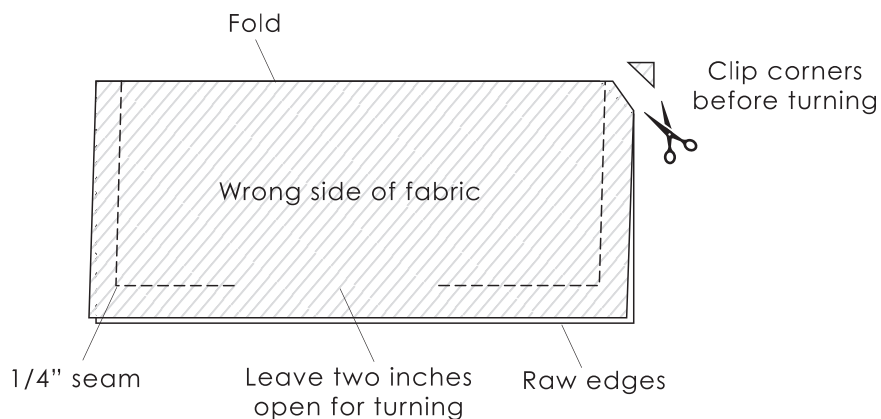
- C. Clip corners and turn to right side through opening. Press.
 D. Fill pin cushion with your choice of filling and slipstitch opening closed.

STEP 3 – Inside Pocket and Lining Construction

A. Scissor Pocket

1. Fold scissor pocket piece in half along fold line, right sides together. See Figure 4.

Figure 4

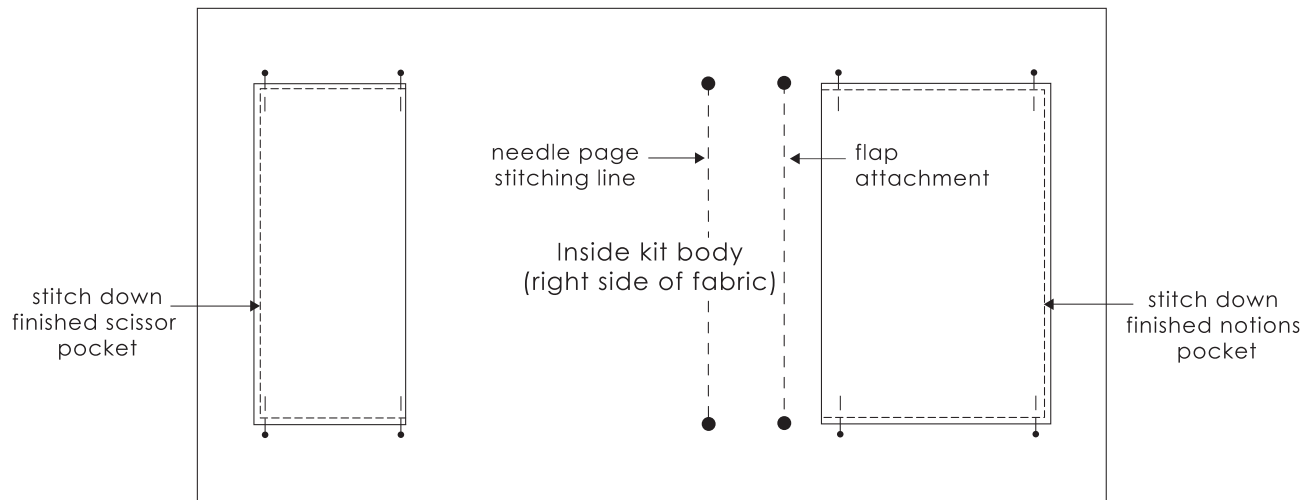


2. Stitch seam along unfinished edges, leaving a 2" opening for turning.
 3. Clip corners and turn to right side. Press.
 4. Topstitch all four edges.
- B. Notions Pocket and Flap
1. Repeat steps 1 through 4 from scissor pocket instructions to make notions pocket.
 2. Repeat steps 1 through 4 from scissor pocket instructions to make notions pocket flap.

C. Attach Pockets and Pocket Flap to Inside Kit Body

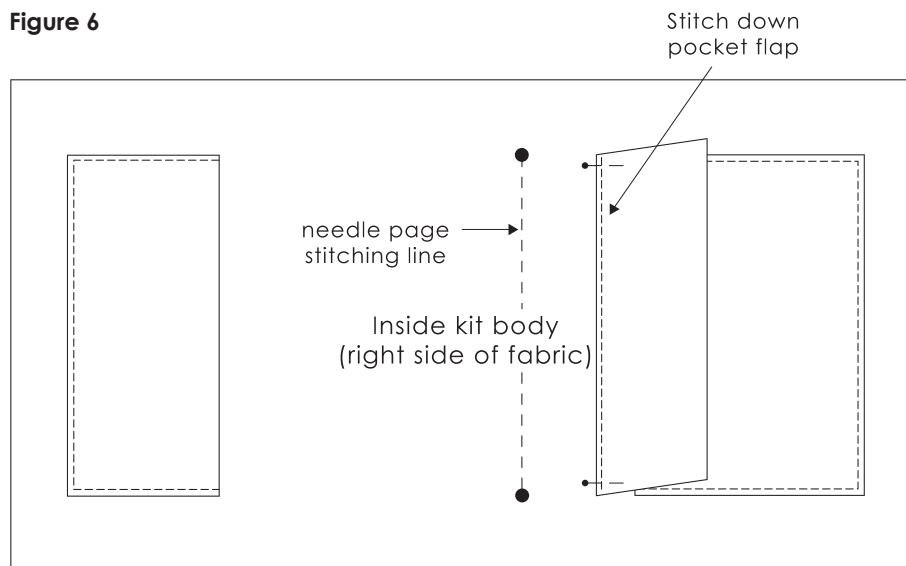
1. Pin scissor pocket and notions pocket to inside kit body at indicated marks, and stitch to lining on outermost long edges and side edges. See Figure 5.

Figure 5



2. Pin pocket flap to inside kit body at indicated marks, and stitch to lining across top edge only. See Figure 6.

Figure 6

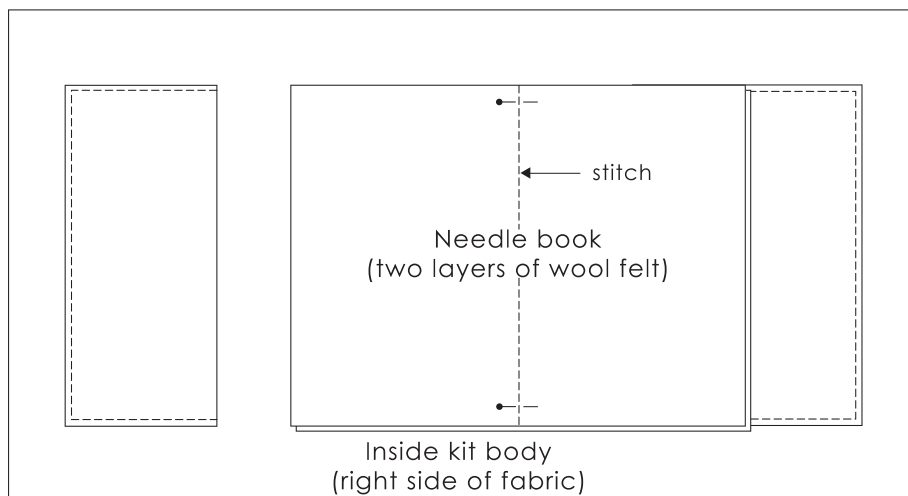


D. Needle Pages

1. Place the two pieces of felt one on top of the other.
2. Mark the center line on the top piece of felt with fabric marking pencil.

- Match the center line on the felt with the needle page stitching line on the inside kit body. Pin in place. See Figure 7.

Figure 7

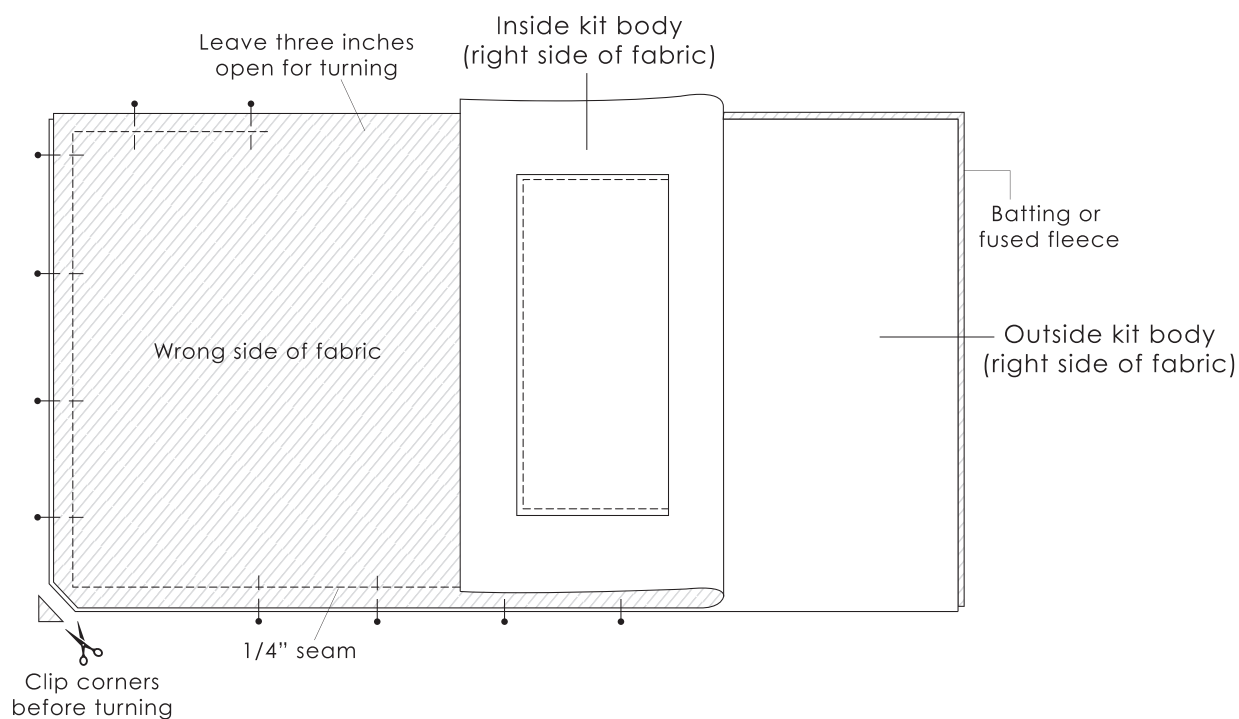


- Stitch to inside kit body through all layers.
- Pink the edges of the felt as desired.

STEP 4 – Outside Construction and Assembly

- Layer outside kit body piece on top of batting, **right** side up, and quilt if desired. If using fusible fleece, fuse the fleece to the **wrong** side of the outside kit body piece.
- Place the inside kit body piece on top of the outside kit piece, **right sides together**. Pin around the edges and stitch, leaving at least a 3" opening along one of the long sides for turning. See Figure 8.

Figure 8

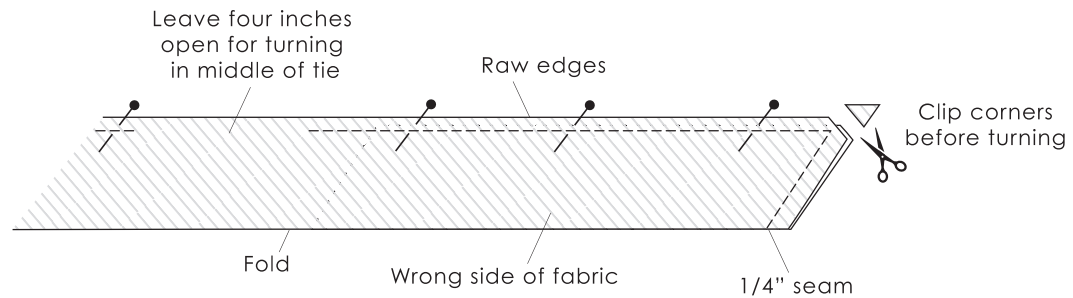


- C. Clip corners, turn to right side through opening and press.
- D. Topstitch around all four outer edges.

STEP 5 – Strap Closure and Finishing

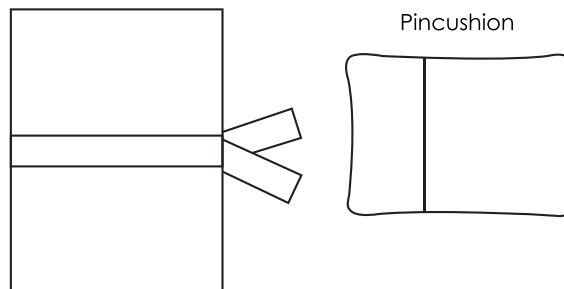
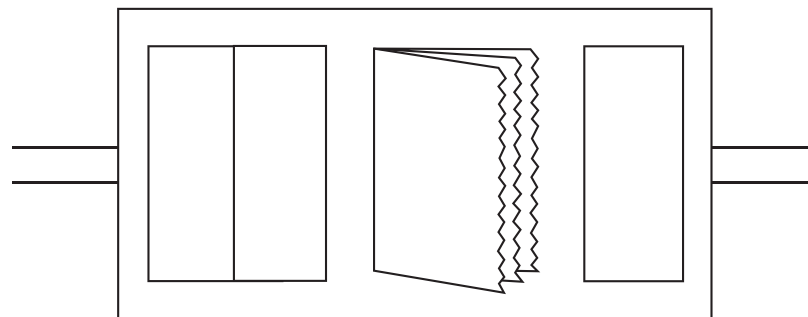
- A. Fold strap in half lengthwise, **right** sides together and pin.

Figure 9



- B. Sew sides and long edge together, leaving a 4" opening in the middle of the long edge for turning. Clip corners. See Figure 9.
- C. Use your turning tool to turn strap to right side through opening. Press.
- D. Topstitch all edges of strap.
- E. Pin strap to outside of kit according to tailors marks.
- F. Stitch strap to outside of kit as indicated on pattern. **Be sure to keep the needle pages free underneath.**
- G. Hand stitch snaps to notion pocket flap, notion pocket and inside of scissor pocket.

Finished Sewing Kit



The project is complete, enjoy your new Sewing Kit!